

# SPA-QUIP

## SPA POWER 601

The SP601 is a new and improved model which incorporates the features and flexibility of the previous SP600. The SP601 now has the ability to be all of the SP600 models rolled into two easy to order models, which not only makes it easier to order but enables the spa pool builder to upgrade or add on extra features instantly at the pool buyers request.

### Features

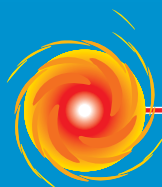
- 2 x Single or 1 x two speed pump control
  - 24Hr circulation pump control
  - Single speed or variable speed blower (SPVSB) control
  - Ozone outlets
  - Pool temperature control using either an "In pool" or "In heater" sensor
  - Adjustable filtration control
  - Available with or without a digital time clock
  - Super hard, non stick, 250°C element coating
  - Safety thermal cutout
  - Optical water sensor
  - Variable colour light (SPVCL) control providing the following effects:  
13 colours available, with fast & slow cycling
  - Or budget Single Colour LED Light (SPCL) option
- In addition the SP601 dip switches can be altered to select
- Less or more load shedding
  - In heater or in pool temperature sensor
  - 24hr circ pump fitted or not fitted



A simple, easy to use pool side touch pad with a digital readout and clearly labeled switches to control pump on/off, heater on/off and speed or auxiliary pump on/off, light on/off and colour, water temperature setting and filtration time selection. The digital readout also shows pool water temperature and diagnostic error codes. The Spa Power 601 touch pad comes in either rectangular or the new night backlit oval model.



The SP601 uses new AMP connectors for flexibility and consistency with the SP800 and SP1200 so common stock of accessories can be used. AMP plugs are available to modify existing stock if required.



**SPA-POWER**

SPA EQUIPMENT



N376

# SPA-QUIP

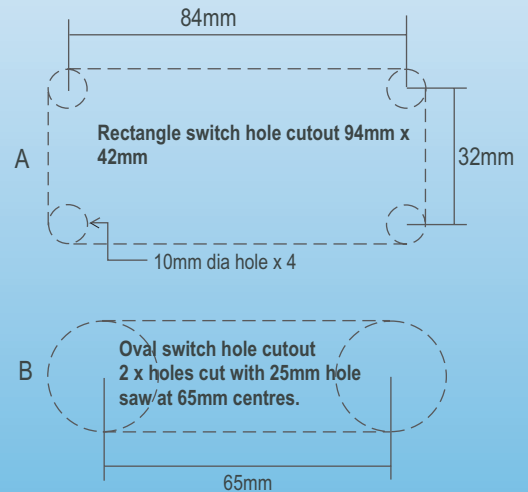
## SPA POWER 601

### Approvals

Matches the Spa Power range of equipment offering safety, EMC and immunity approvals to EN standards, making it suitable for sale in markets such as Europe, Australia and New Zealand.

### Specifications

SP601 dimensions	360 x 220 x 95
Heater tube pipe diameter	50mm
Heater pressure, max (head of water)	300kPa (31m)
Temp - max controlled	41.5°C
Temp - thermal cut out	50°C +/- 3°C
Temp - max ambient	40°C
Mains cord length	5m
Pool side touchpad - face (rectangle)	118mm x 65mm x 6mm
Pool side touchpad - body (rectangle)	92mm x 40mm x 22mm
Recommended switch hole (rectangle)	See diagram A
Pool side touchpad - face (oval)	112mm x 49mm x 4mm
Pool side touchpad - body (oval)	88mm x 22.5mm x 19mm
Recommended switch hole (oval)	See diagram B
Switch lead length (both versions)	3m



### Supply Requirements (Max total loading)

1.5kW models	220 - 240V, AC, 50-60Hz, 10A
2.0kW models	220 - 240V, AC, 50-60Hz, 15A

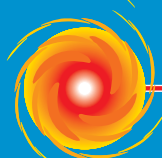
### Purchasing Information

Q601-15	Spa Power 601, 1.5kW heating element
Q601-15T	Spa Power 601, 1.5kW heating element & time clock
Q601AU-15	Spa Power 601, 1.5kW heating element & AS/NZ 15 Amp Cordset
Q601AU-15T	Spa Power 601, 1.5kW heating element, time clock & AS/NZ 15 Amp Cordset
Q601-20	Spa Power 601, 2kW heating element
Q601-20T	Spa Power 601, 2kW heating element & time clock
Q601AU-20	Spa Power 601, 2kW heating element & AS/NZ 15 Amp Cordset
Q601AU-20T	Spa Power 601, 2kW heating element, time clock & AS/NZ 15 Amp Cordset
Q601-30	Spa Power 601, 3kW heating element
Q601-30T	Spa Power 601, 3kW heating element & time clock
Q601AU-30	Spa Power 601, 3kW heating element & AS/NZ 15 Amp Cordset
Q601AU-30T	Spa Power 601, 3kW heating element, time clock & AS/NZ 15 Amp Cordset
Q71092	Spa Power 601 Rectangle t/pad
Q916907	Spa Power 601 Rectangle t/pad overlay
Q71093	Spa Power 601 Oval t/pad
Q916945	Spa Power 601 Oval t/pad overlay

Spa Power Equipment manufactured in New Zealand by Spa-Quip Ltd

2 Rothwell Avenue, North Harbour Industrial Park, Auckland, NZ

[www.spa-quip.co.nz](http://www.spa-quip.co.nz)



**SPA-POWER**

SPA EQUIPMENT



N376